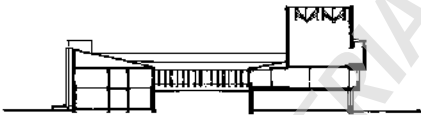


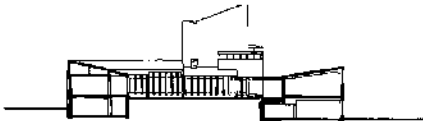
# ALVAR AALTO

ALVAR AALTO

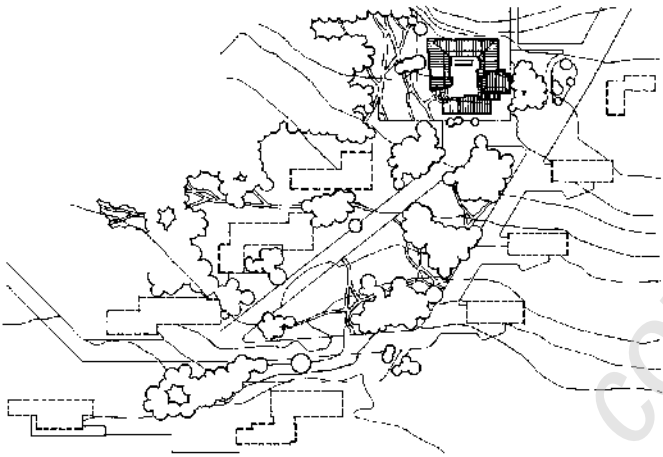
TOWN HALL  
SAYNATSALO, FINLAND  
1950-1952



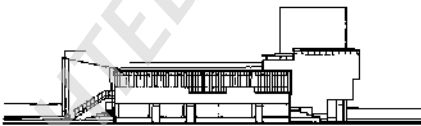
SECTION A



SECTION B



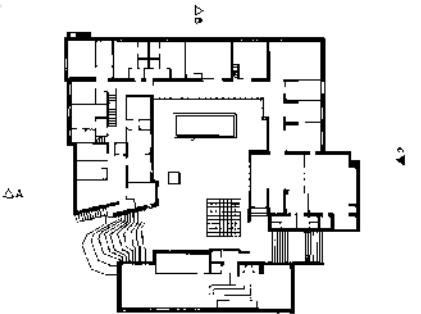
SITE PLAN



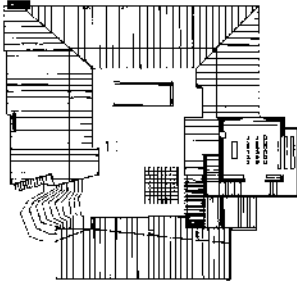
ELEVATION 1



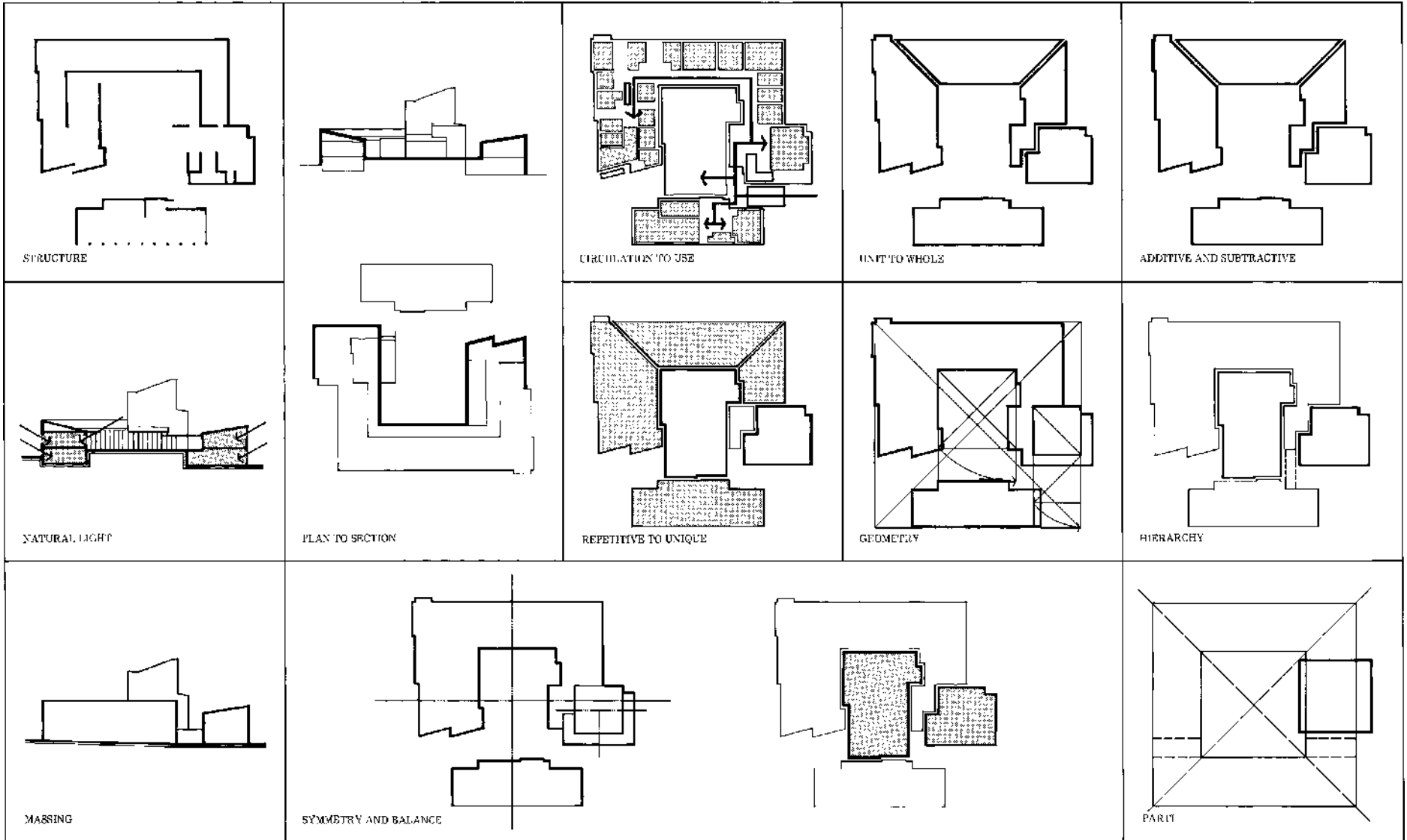
ELEVATION 2



MAIN FLOOR PLAN



UPPER FLOOR PLAN



ALVAR AALTO

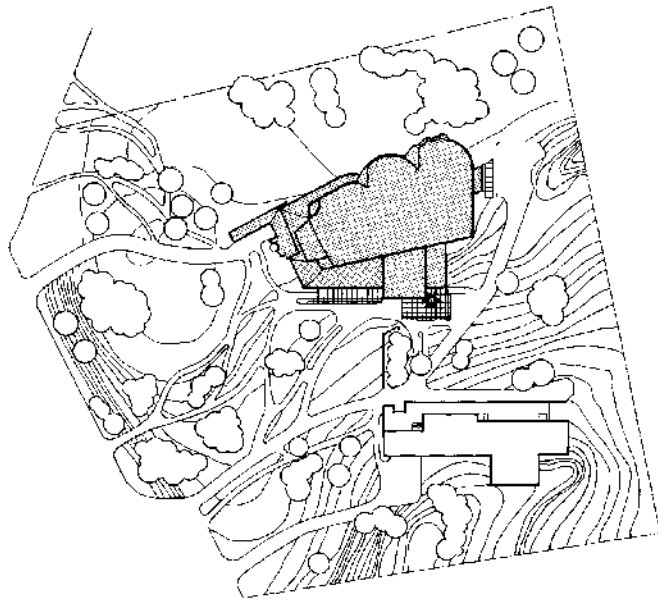
VOUKSENNISKA CHURCH  
IMATRA, FINLAND  
1956-1958



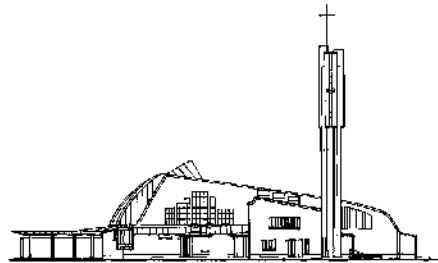
SECTION A



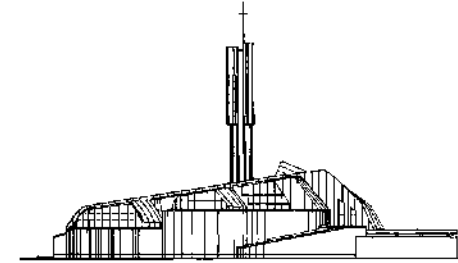
SECTION B



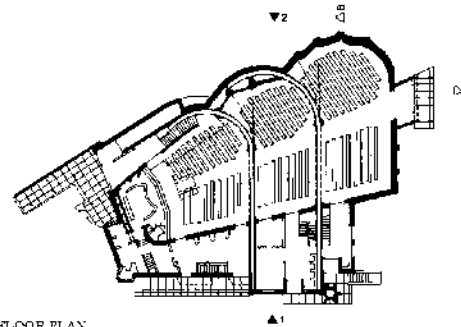
SITE PLAN




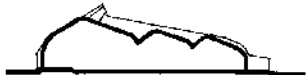
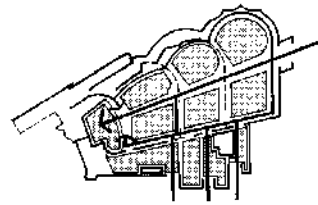
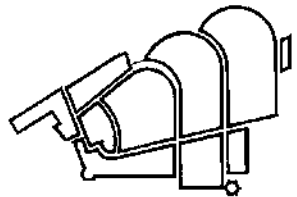
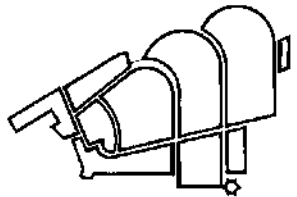
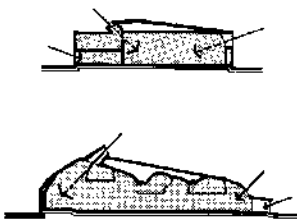
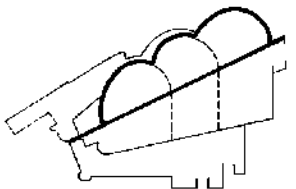
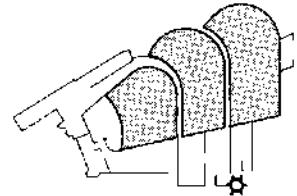
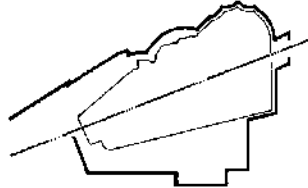
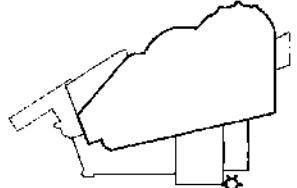
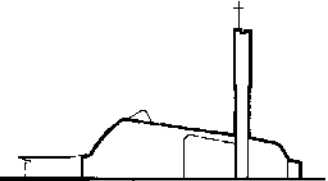
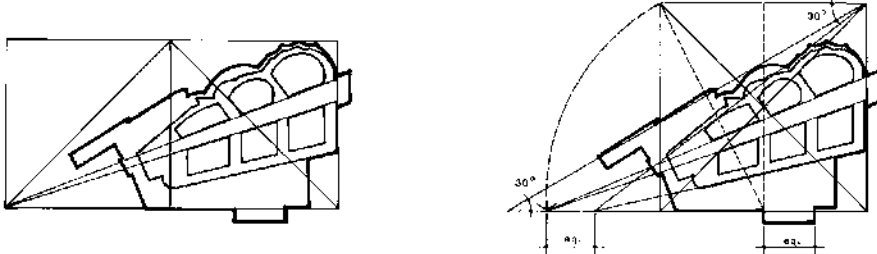
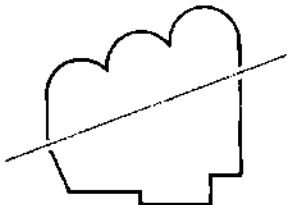
ELEVATION 1



ELEVATION 2

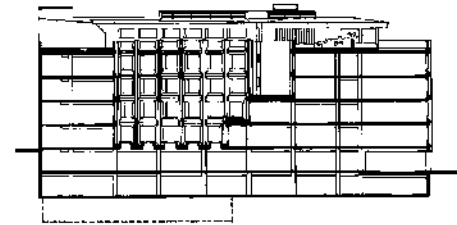


FLOOR PLAN

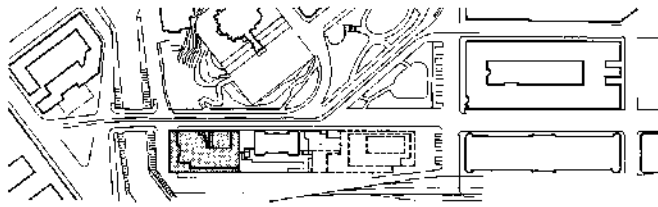
 <p>STRUCTURE</p>		 <p>CIRCULATION TO USE</p>	 <p>UNIT TO WHOLE</p>	 <p>ADDITIVE AND SUBTRACTIVE</p>
 <p>NATURAL LIGHT</p>	 <p>PLAN TO SECTION</p>	 <p>REPETITIVE TO UNIQUE</p>	 <p>SYMMETRY AND BALANCE</p>	 <p>HIERARCHY</p>
 <p>MASSING</p>	 <p>GEOMETRY</p>		 <p>PART</p>	

ALVAR AALTO

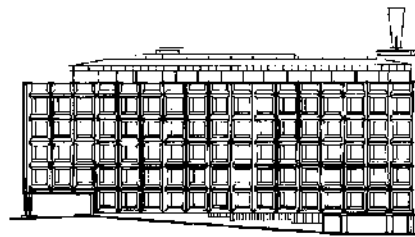
ENSO-GUTZETT COMPANY HEADQUARTERS  
HELSINKI, FINLAND  
1959-1962



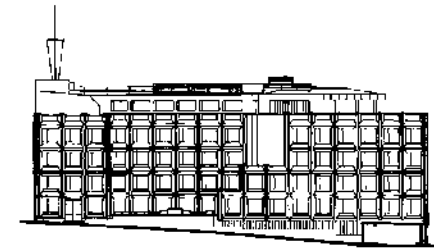
SECTION A



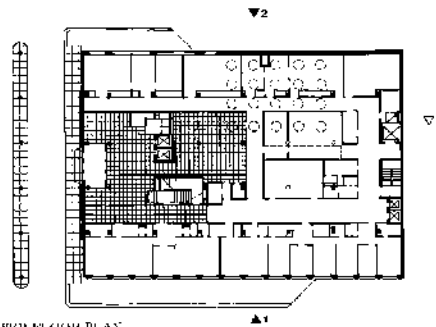
SITE PLAN



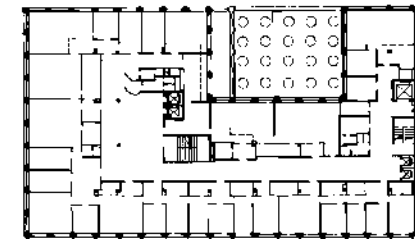
ELEVATION 1



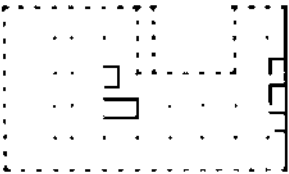
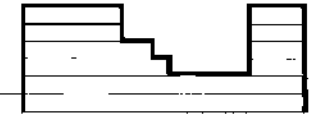

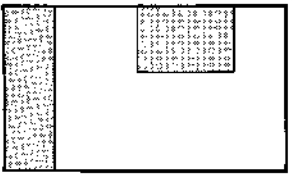
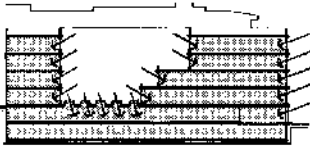
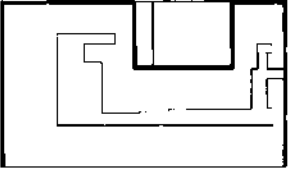
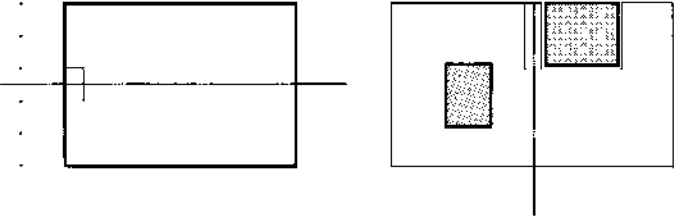
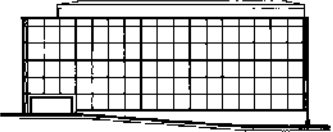
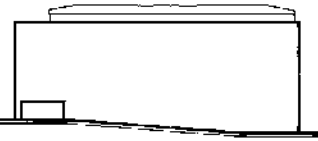
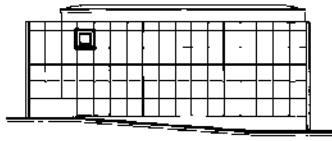
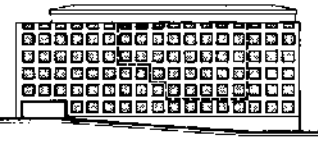
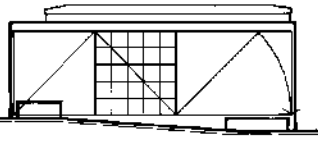
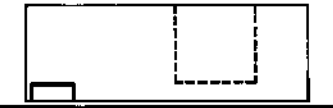
ELEVATION 2



LOWER FLOOR PLAN

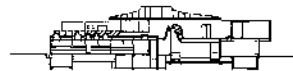


UPPER FLOOR PLAN

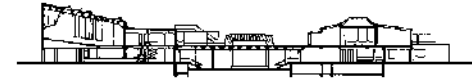
 <p>STRUCTURE</p>		 <p>CIRCULATION TO USE</p>		 <p>ADDITIVE AND SUBRACTIVE</p>
 <p>NATURAL LIGHT</p>	 <p>PLAN TO SECTION</p>	 <p>SYMMETRY AND BALANCE</p>		 <p>HIERARCHY</p>
 <p>MASSING</p>	 <p>UNIT TO WHOLE</p>	 <p>REPETITIVE TO UNIQUE</p>	 <p>GEOMETRY</p>	 <p>PART</p>

ALVAR AALTO

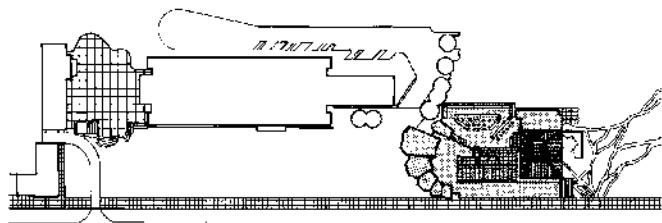
CULTURAL CENTER  
WOLFSBURG, GERMANY  
1958-1962



SECTION A



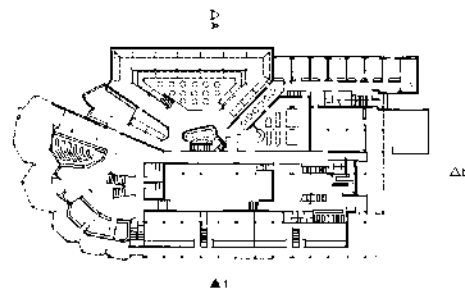
SECTION B



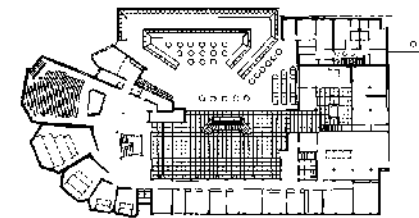
SITE PLAN



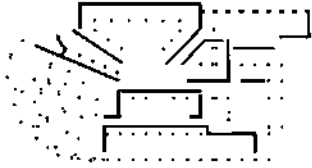
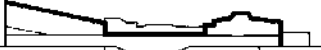
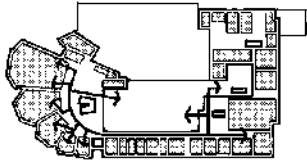
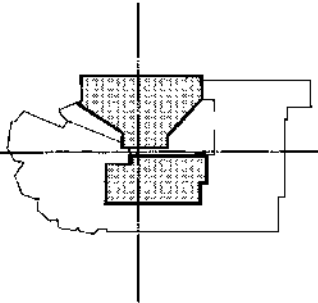
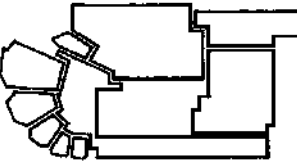

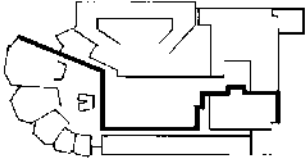
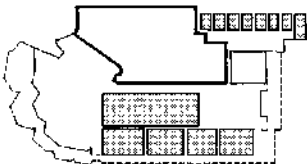
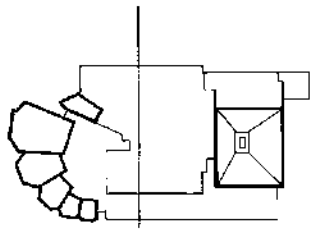

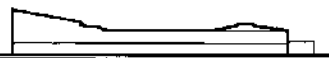
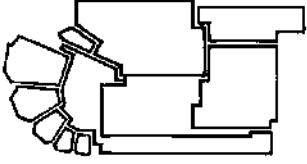

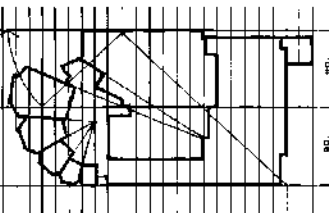
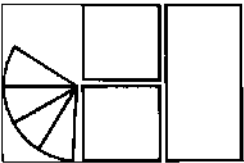
ELEVATION 1



LOWER FLOOR PLAN



UPPER FLOOR PLAN

 <p>STRUCTURE</p>		 <p>CIRCULATION TO USE</p>		 <p>ADDITIVE AND SUBTRACTIVE</p>
 <p>NATURAL LIGHT</p>	 <p>PLAN TO SECTION</p>		 <p>SYMMETRY AND BALANCE</p>	 <p>HIERARCHY</p>
 <p>MASSING</p>	 <p>UNIT TO WHOLE</p>	 <p>REPETITIVE TO UNIQUE</p>	 <p>GEOMETRY</p>	 <p>PARTI</p>